

67" ASIA DOUBLE ACRYLIC ROLL TOP TUB

Cat. No.
ADTR67



L: 67"
W: 29"
H: 25" (from floor to top of tub)
18" (from bottom to tub)

Water depth: 11-1/2" to overflow

The following is recommended for ADTR67 tubs

- Tub wall-mounted faucets: **4022, 4025, or 4035**
- Double offset bath supplies: **Part# 5576**
- Leg tub drain: **Part# 5599**

Do not use with rigid, freestanding supplies

Gallon Capacity: 50
Shipping Weight: 150 lbs.
Empty Weight: 100 lbs.
Filled Weight: 518 lbs.

Features:

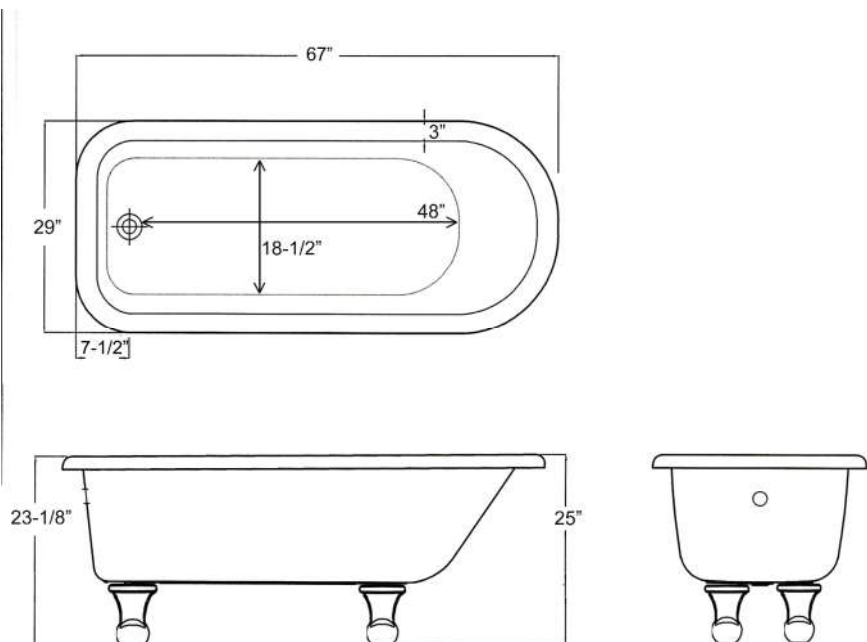
- ▶ Smooth white acrylic surface inside and out
- ▶ 3" centers in tub wall
- ▶ Pre-drilled overflow hole
- ▶ Continuous rolled rim
- ▶ Cast aluminum ball and claw feet
- ▶ Tubs ship with feet attached and leveled
- ▶ Tubs thoroughly inspected before shipment



Foot Finishes

BQ Bisque	BL Black
BP Polished Brass	CP Polished Chrome
BN Brushed Nickel	ORB Oil Rubbed Bronze
PN Polished Nickel	WH White

Custom Colors Available (inside of tub is always white enamel):
Painted bathtubs are considered "special order" and are not returnable
\$160 Bisque or Black \$250 Designer Color



Dimensions are nominal and specifications subject to change without notice.

TUB FILLER, DIVERTER, HAND SHOWER AND SHOWER RING

Cat. No.
4144



Shower Rod: 48" W x 24" D
 Riser Height: 60"
 Wall Support: 10" adjustable
 Ceiling Support: 30" adjustable

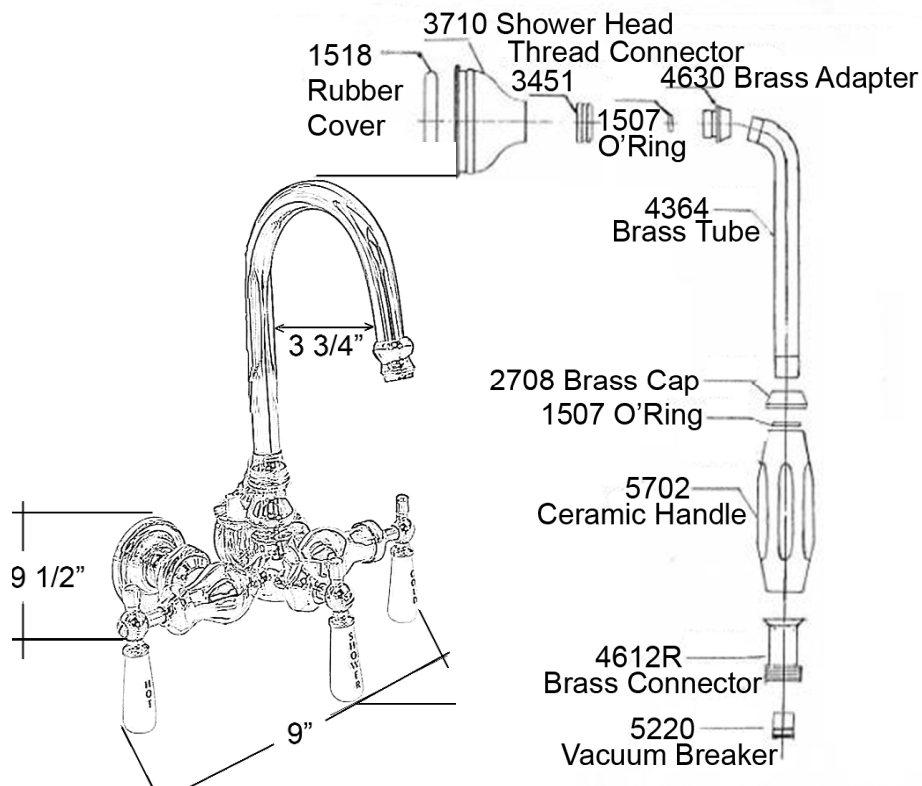
Features:

- ▶ Code gooseneck spout
- ▶ Handheld shower with cradle and 59" hose
- ▶ Check valve in handshower
- ▶ 1/4 Turn ceramic disc cartridges
- ▶ Porcelain lever handles
- ▶ 3-3/8" Centers for tub wall mount installation
- ▶ Flow rate for spout is 3.68 GPM
- ▶ Flow rate for handshower is 2.5 GPM
- ▶ Includes ceiling and wall support assemblies
- ▶ Supports adjustable by cutting
- ▶ Includes riser and shower ring
- ▶ Shower head not included
- ▶ For acrylic tub use only
- ▶ For cast iron tub use: Part# 4143

Finishes

BP Polished Brass
 CP Polished Chrome

PN Polished Nickel
 SN Brushed Nickel



Dimensions are nominal and may vary. Dimensions and specifications subject to change without notice.

DOUBLE OFFSET BATH SUPPLIES

Cat.No.
5576



H: 24"

OD: 1/2"

Features:

- ▶ For use with faucets mounted to the tub wall
- ▶ No Stops
- ▶ 1/2" Compression inlet
- ▶ 3/4" Compression outlet
- ▶ 0.500" Outer diameter
- ▶ 0.440" Inner diameter
- ▶ 0.030" Thickness of the wall
- ▶ IAPMO approved
- ▶ Available in 5 finishes

Compliance Certification

Meets or exceeds the following specifications: ASME-A112 (and 19.6M) for Vitreous china fixtures. ASME 112.19.9M for fire clay fixtures.

Finishes:

CP Polished Chrome
PB Polished Brass
ORB Oil Rubbed Bronze

PN Polished Nickel
BN Brushed Nickel



Use on concrete floors requires special installation. We recommend using a plumbing professional.

Dimensions and specifications subject to change without notice.

LEG TUB DRAIN

Cat. No.
5599



Escutcheon Height: 1-1/4"

Features:

- ▶ Twist-and-lift stopper
- ▶ Includes deep escutcheon
- ▶ Height adjustable 15"-18"
- ▶ Depth adjustable 12"-14"
- ▶ Includes deep escutcheon
- ▶ IAPMO approved
- ▶ Available in 5 Finishes

Finishes:

- CP** Polished Chrome
- BP** Polished Brass
- SN** Brushed Nickel
- PN** Polished Nickel
- ORB** Oil Rubbed Bronze

#5599 Leg Tub Drain



Dimensions and specifications subject to change without notice.